

Reed-switch Interface for ABEL

Instead of using a photohead, a much simpler way of connecting a dumbbell to ABEL is to use a reed-switch.

All you need is a reed-switch and magnet, a resistor and serial-port socket.

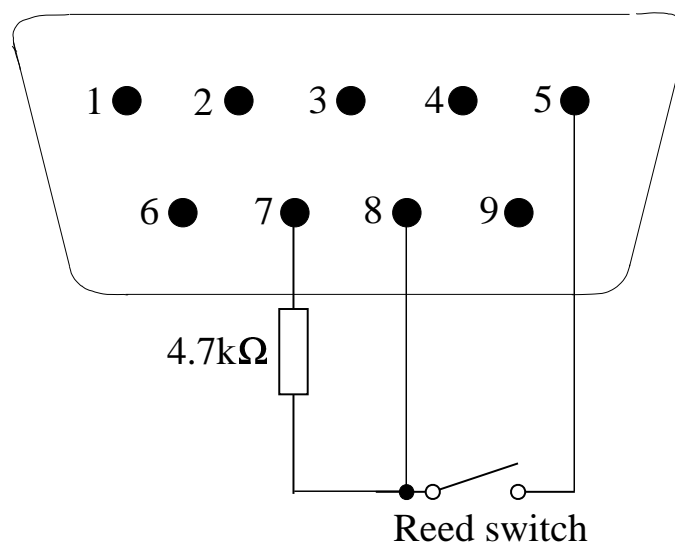
Here are the Maplin codes and prices:

| | | |
|------------------------|------|-------|
| Reed-switch and magnet | MM08 | £2.29 |
| Resistor 4.7k Ω | M4k7 | 0.13 |
| 9-pin socket | RK61 | 0.89 |
| Cover for socket | FP27 | 1.09 |
| TOTAL | | £4.40 |

There is no circuit board required, as the resistor fits inside the socket-cover.



Serial Port



There are four wires coming from the reed switch.
Use the yellow and blue wires, and connect them (either way round) to pins 5 and 8.